

Preliminary Product Documentation

ebmpapst

Project-No.:

ebm-papst Muldingen GmbH & Co
Bachmühle 2 · 74671 Muldingen
Phone 07938 / 81-0
Fax 07938 / 81-110

ebm-papst Muldingen GmbH & Co KG Bachmühle 2 74673 Muldingen



Prepared by: Oliver Florek
Sales engineer
Dept.: V3 – Americas & Asia

Phone: 07938 / 81-350
Email: oliver.florek@de.ebmpapst.com

Fax: 07938 / 81-9350

Part-number: **W2D300CP0840**

Customer specification: **Project number /name:**

Details / Technical Description:

1. Design
2. Drawing
3. Performance

Enclosures:

Documentation

Document

Remarks

Muldingen, Jan 3rd, 2011

Design Specification:
Project-No.:

Motor:

design:	Brushless motor with external rotor
stack length:	35 mm
winding layout:	6223
impregnation	Vacuum impregnation
mounting position	Shaft horizontal or motor on bottom, rotor on top on request
condensate discharges	Rotor-side

Electrical Data:

voltage	230/400V	50/60Hz
---------	----------	---------

Motor Protection:

protection features:	Thermal cut-out, cable lead-out
protection class	IP44
insulation class:	“F” acc. to EN 60335-1

Impeller:

air flow direction:	FA
performance	See page 4

Bearings:

type:	Maintenance-free ball bearing, radial sealed 6001 – 2Z
lubricant:	Asonic GHY 72

Admissible Ambient Temperature:

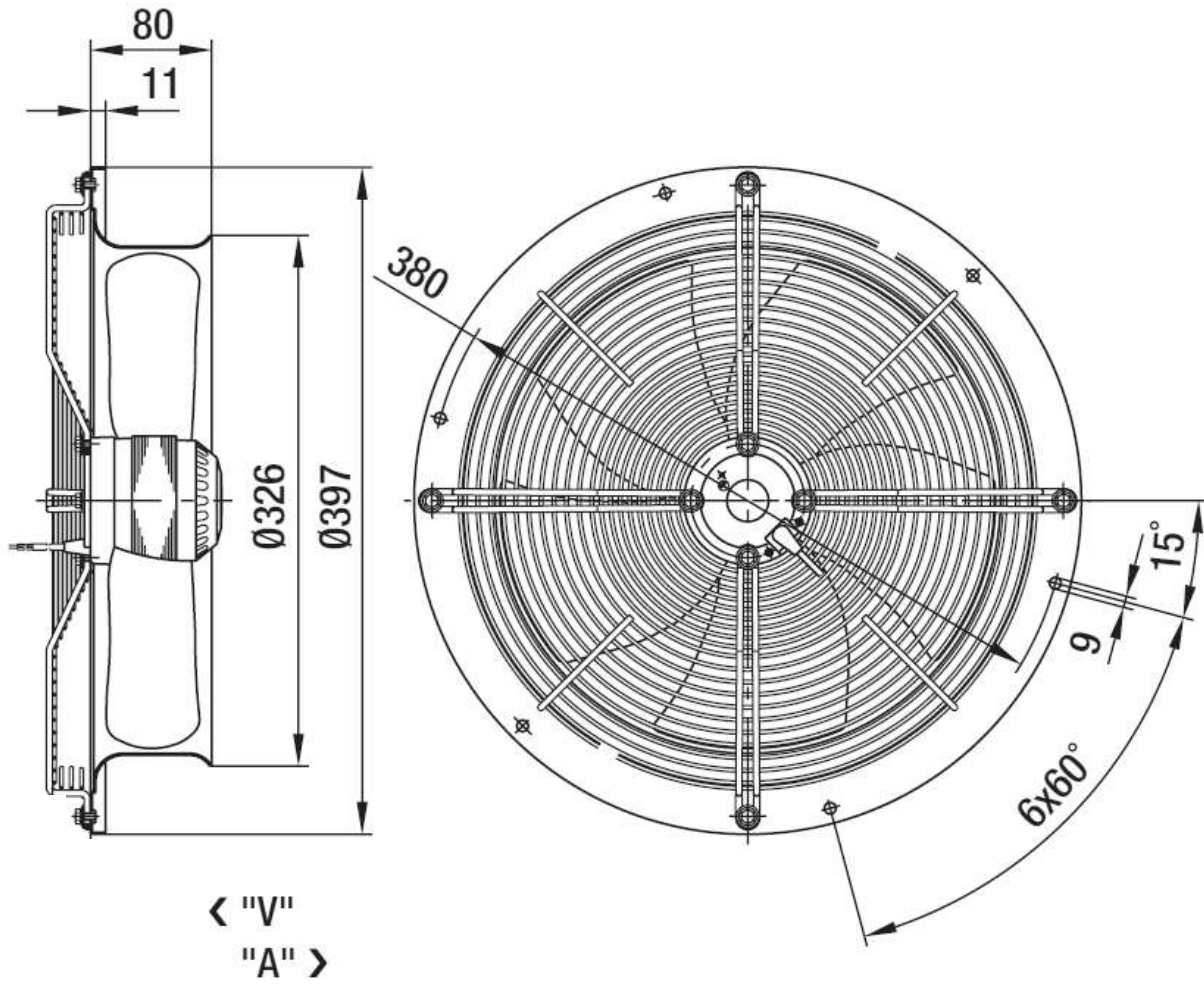
operation:	min: -25 °C	max.: +55 °C at 230/400V / 60Hz
transport and storage:	min: -40 °C	max.: +100 °C

Electrical Connection / Wiring:

wire type:	Single core PFA AWG20, Ground wire AWG18, Protection : shrink tube
wire length	1200 mm
terminals:	end sleeves
	U1=black
	U2=green
	V1=blue
	V2=white
	W1=brown
	W2=yellow
	Ground=yellow/green
	TOP= grey (two times)

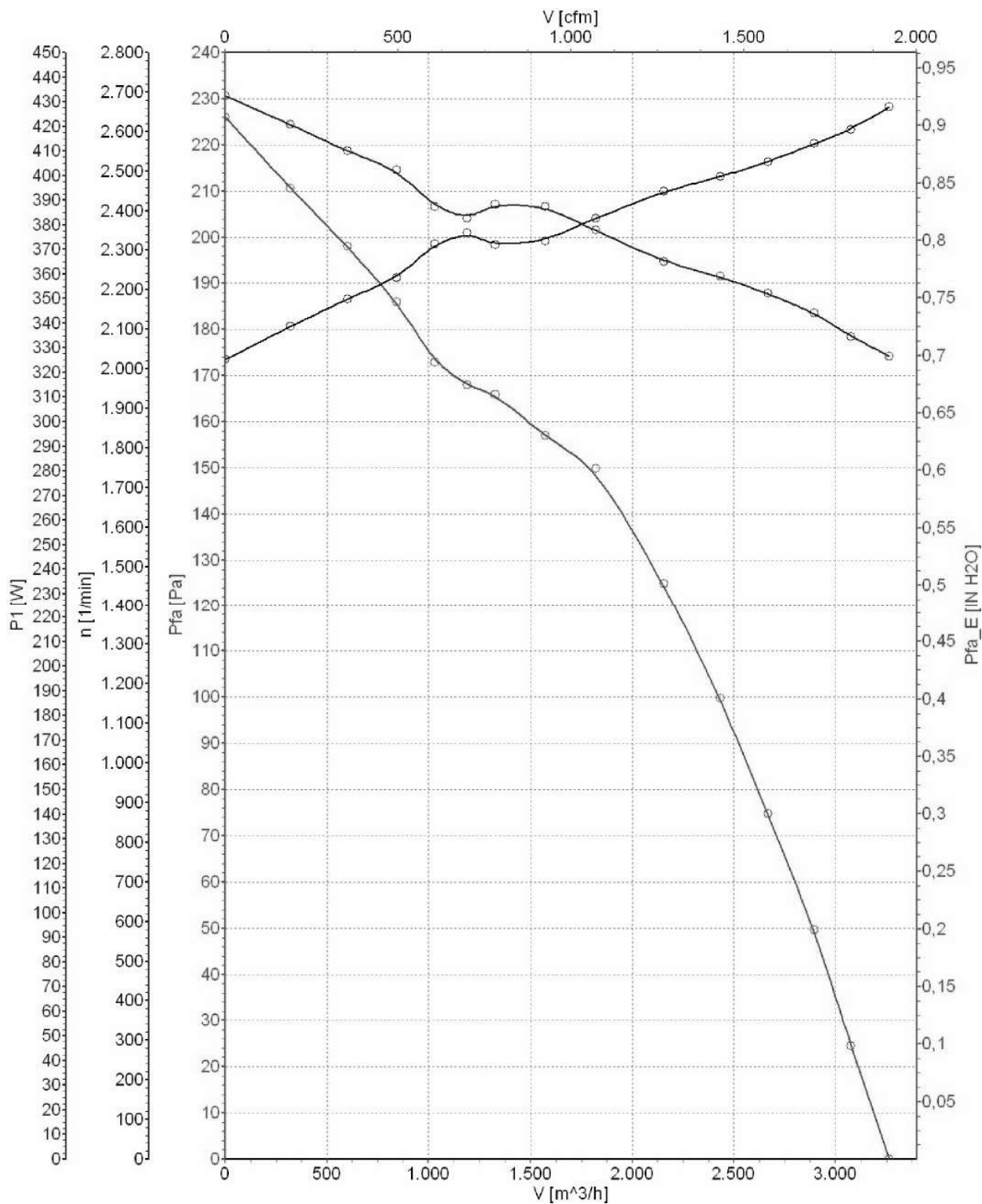
Approval:

accord. to	UL1004
accord. to	CSA22.2 No:100



Performance testing of fans

Installation category A accord. to ISO 5801, DIN 24163, DIN EN ISO 5167-1



Mouser Electronics

Authorized Distributor

Click to View Pricing, Inventory, Delivery & Lifecycle Information:

ebm-papst:

W2D300-CP08-40